



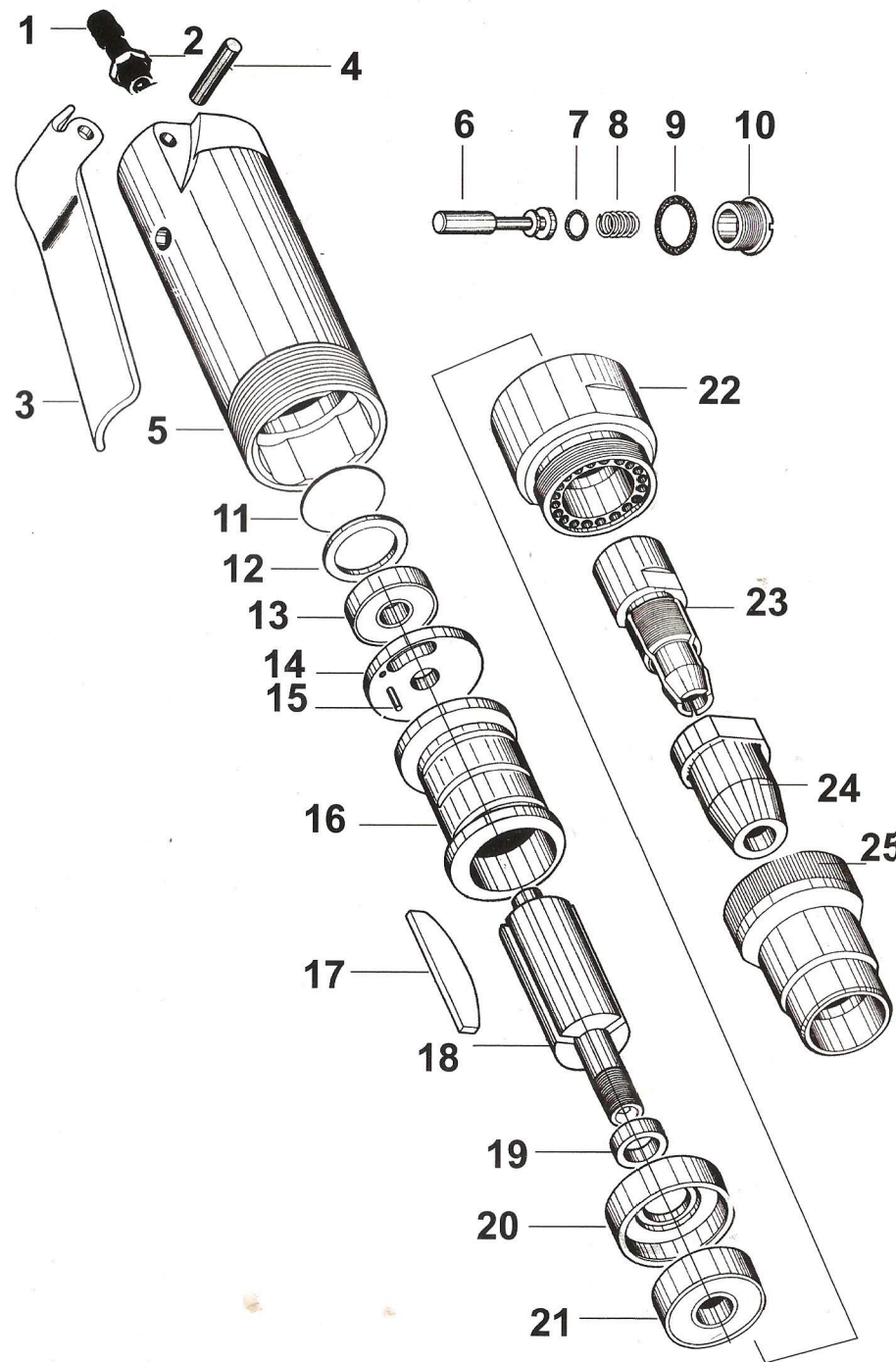
RB VENUS 2030
DIE GRINDER



**SPARE PART LIST &
MAINTENANCE INSTRUCTIONS**

RB VENUS 2030

DIE GRINDER



RB VENUS 2030

DIE GRINDER

Illust. No.	Part No.	Description	Qty.
1	R-2601705	Protection Cap	1
2	RB-2030	Air Inlet Nipple	1
3	F-2828515	Throule Lever	1
4	* N-5017515	Throttle Lever Pin	1
5	E-9418515	Motor Housing	1
6	E-1201515	Throttle Valve	1
7	* R-0101705	'O' Ring	1
8	* I-3408515	Throttle Valve Spring	1
9	* R-0103705	'O' Ring	1
10	E-3224315	Spring Plug	1
11	* N-3974515	Bearing Gasket	1
12	E-4060515	Bearing Spacer	1
13	* N-5377515	Ball Bearing	1
14	* E-4402515	Upper End Plate	1
15	* N-4851515	Liner Dowel	1
16	E-7101515	Cylinder Liner	1
17	* I-5001510	Rotor Blade	3
18	E-1701516	Rotor	1
19	E-4001515	Bearing Spacer	1
20	* E-4401515	Lower End Plate	1
21	* N-5408515	Ball Bearing	1
22	E-7733515	Retaining Nut	1
23	E-7608506	Collet Body (6 mm Bore)	1
23 A	E-7609506	Collet Body (1/4" Bore)	1
24	E-9821060	Collet Nut	1
25	E-7731515	Chuck Guard	1

REPLACEMENT SPARE PARTS

Parts indicated by (*) are fast wearing spare parts and are recommended for stocking

PLEASE ORDER SPARE PARTS ON STOCK NOS.